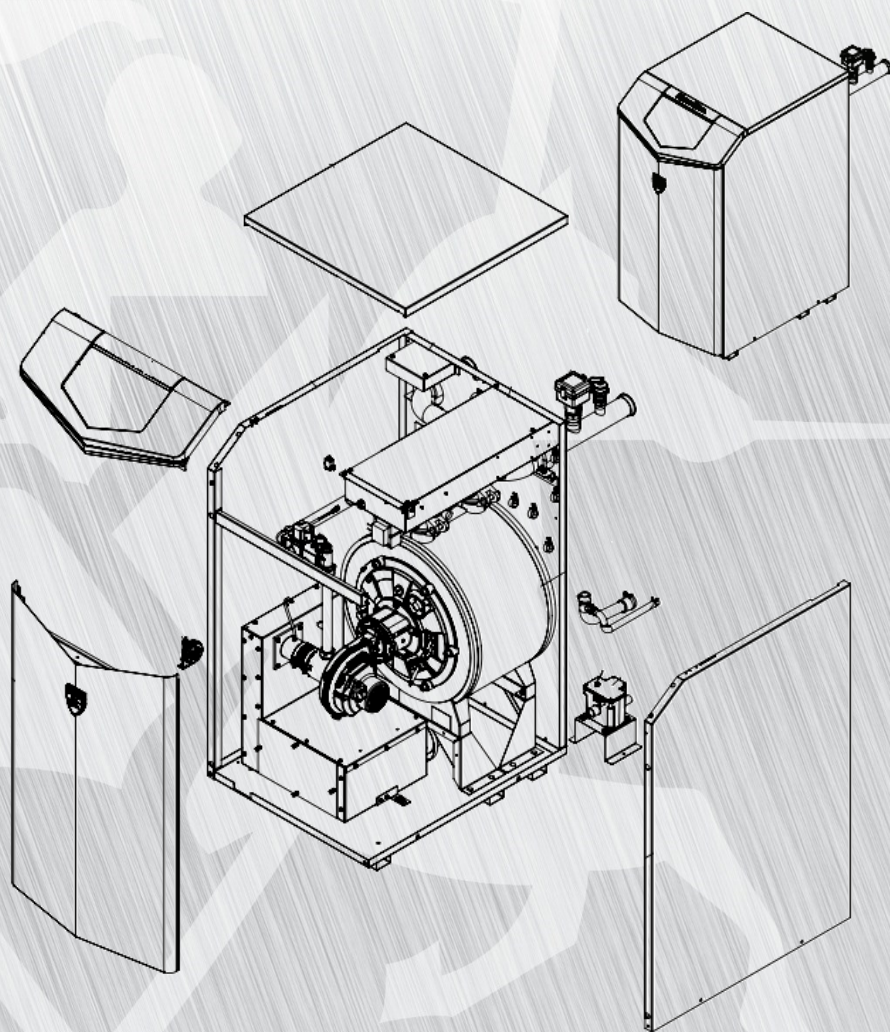


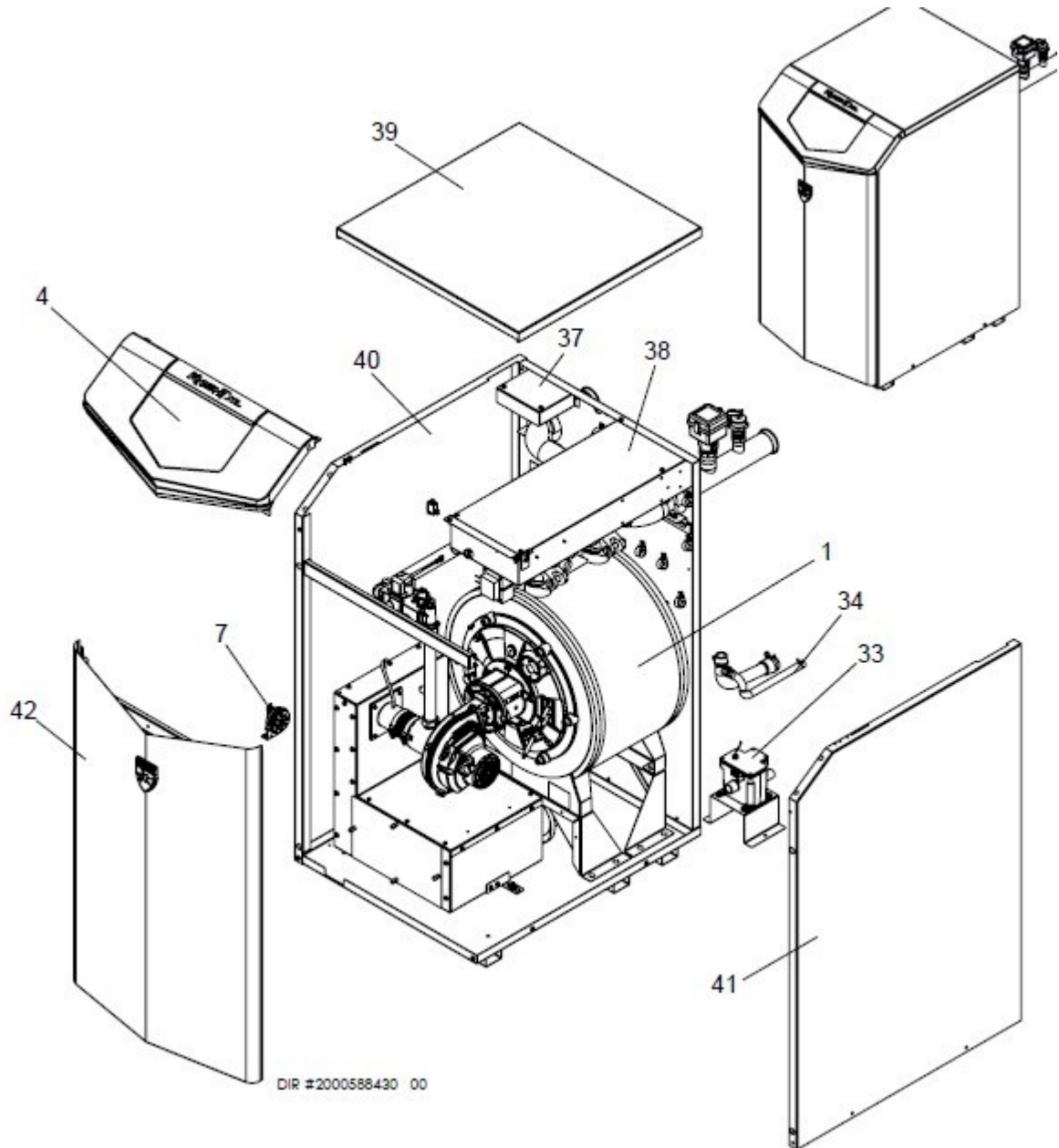
EcoKnight / Herald Spare Parts



ECOKNIGHT / HERALD SPARE PARTS LIST

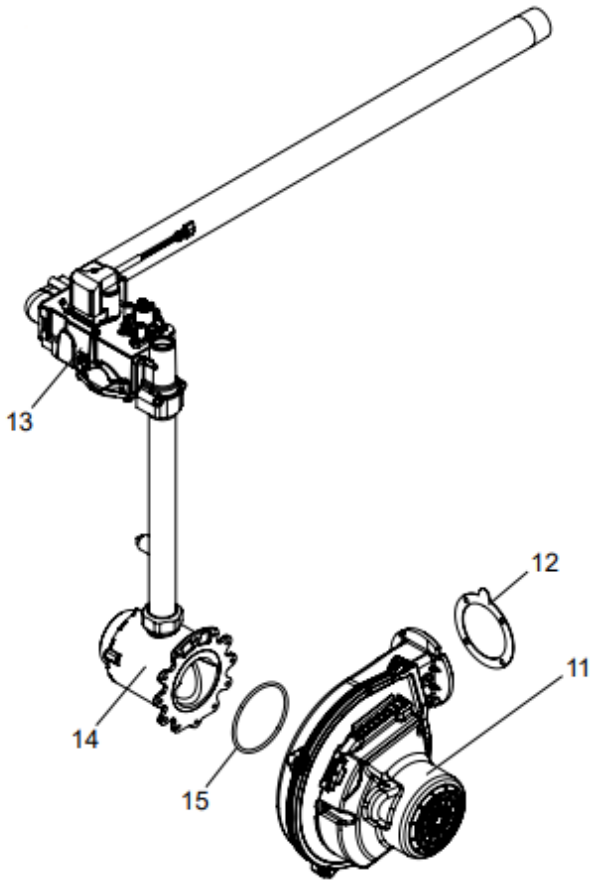
Item No	Description of item	Item Comments	EKW/HCB117C	EKW/HCB190C	EKW/HCB235C	EKW/HCB295C
			E	E	E	E
1	Heat Exchanger		LL100330273	LL100330275	LL100330276	LL100330277
2	Low Voltage Connection Board	Prior Serial #2148	LL100208459			
2	Low Voltage Connection Board	Beg Serial #2148	LL100351933			
3	Main Control Board		LL100330278	LL100334033	LL100334034	LL100334035
4	Display Assembly		LL100330279			
5	Sensor Inlet		LL100208563			
6	Sensor Outlet		LL100208558			
-	Sensor Flue C/W Grommet		LL100330186			
7	Air Pressure Switch		PRS20016	-	LL100208381	-
8	Power On/Off Switch		LL100208242			
9	Pump Relay		LL100208509			
10	Transformer		LL100288473			
11	Fan	C/W Gasket	LL100330187	LL100330188	LL100330188	LL100330189
12	Fan Gasket		LL100208101	LL100330190	LL100330190	LL100330191
13	Gas Valve		LL100330192	LL100172015	LL100330193	LL100330193
14	Venturi	C/W Gasket	LL100330194	LL100330196	LL100330197	LL100330199
15	Venturi Gasket		LL100208761	LL100233705	LL100233705	LL100233698
-	Gas Valve O-Ring		LL100288880	-	-	-
-	G-Nut Gasket		LL100288899	-	-	-
-	Gas Valve Gasket		-	LL100208105	LL100208105	LL100208105
16	Ignitor	C/W Gasket & Screws	LL100297132			
17	Ignitor Gasket		LL100297133			
18	Flame Sensor	C/W Gasket & Screws	LL100330200			
19	Flame Sensor Gasket		LL100330341			
20	Sight Glass		LL100330201			
21	Sight Glass Gasket		LL100297136			
22	Door Rope Gasket		LL100330202			
23	Intake Manifold Hex Inlet		LL100330209	LL100330203	LL100330203	LL100330204
24	Intake Manifold Gasket		LL100330206	LL100330190	LL100330190	LL100330191
25	Burner	C/W Gasket	LL100330210	LL100330212	LL100330213	LL100330214
26	Burner Gasket		LL100330215			
27	Burner Door		LL100330216			
28	Insulation Deflector		LL100330218			
29	Insulation Burner Door		LL100330217			
-	Flue Outlet Gasket		LL100330219	LL100330220	LL100330220	LL100330220
-	Flue Clamp Ring		LL100330314	LL100330315	LL100330315	LL100330315
30	Inlet Water Pipe		LL100330223	LL100330223	LL100330223	LL100330224
31	Outlet Water Pipe		LL100330225	LL100330227	LL100330229	LL100330230
32	Water Pipe Coupling		LL100330232			
33	Condensate Trap Assembly		LL100330233			
34	Condensate Trap Hose		LL100330234			
-	Outdoor Sensor		LL100208834			
-	Spark Ignitor Harness		LL100330235			
-	Flame Sensor Harness		LL100208622			
-	Electrode Ground Harness		LL100330236			
-	Communication Cable Harness		LL100330237			
-	Air Filter		LL100233577			
-	Compression Latch		-	-	-	LL100302180
37	Junction Box Cover		LL100335982			
38	Control Cover		LL100335985			
39	Top casing		LL100330328	LL100330329	LL100330329	LL100330330
40	Side casing	Left hand side	LL100330331	LL100330332	LL100330332	LL100330336
41	Side casing	Right hand side	LL100330337	LL100330333	LL100330333	LL100330334
42	Front casing		LL100330335			

ECOKNIGHT / HERALD SPARE PARTS LIST

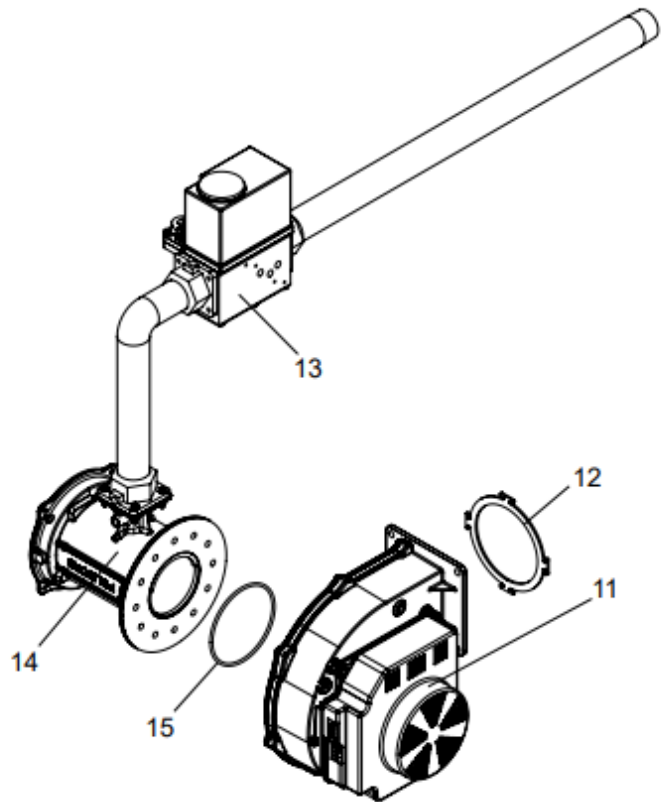


ECOKNIGHT / HERALD SPARE PARTS LIST

EcoKnight Gas Train



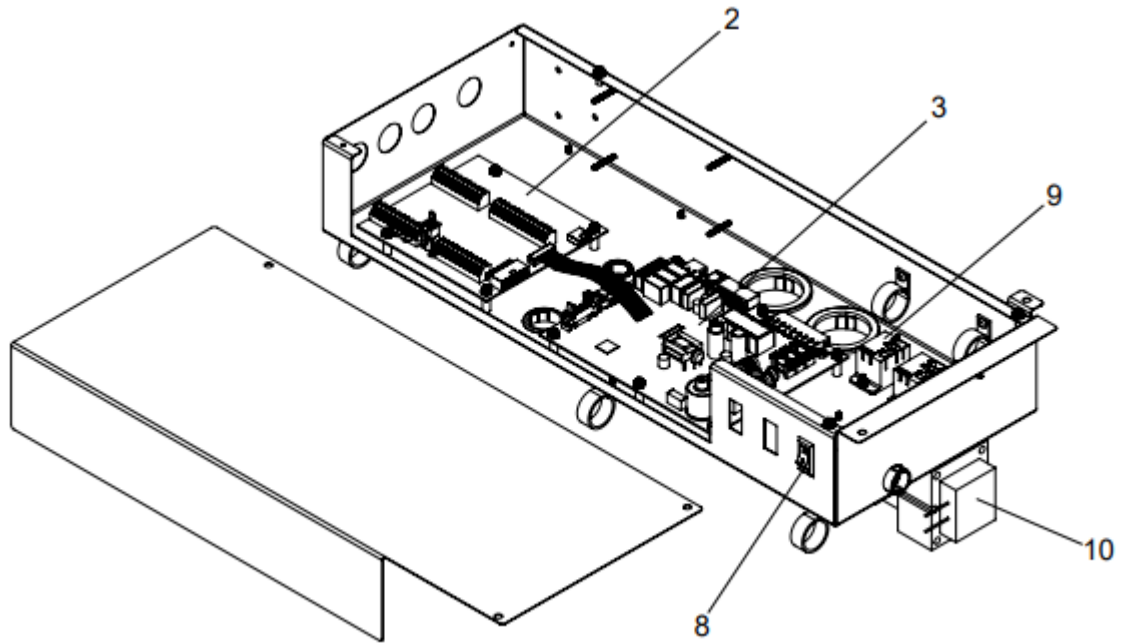
EKW117 Gas Train



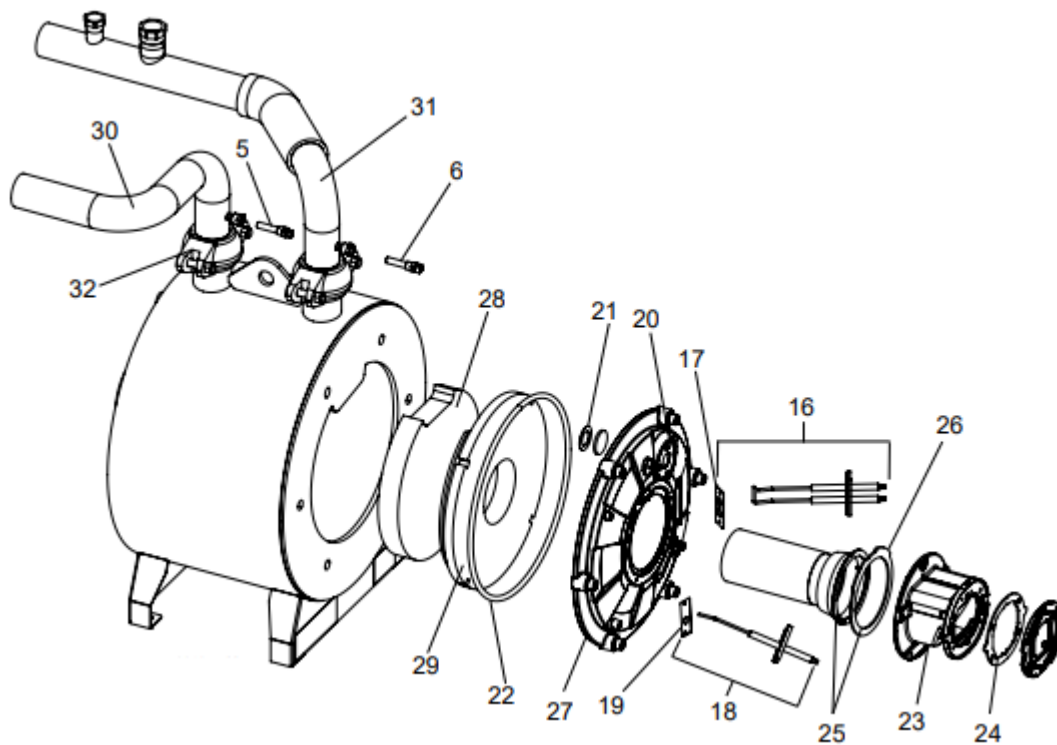
EKW190 - 295 Gas Train

ECOKNIGHT / HERALD SPARE PARTS LIST

EcoKnight Controls



EcoKnight Heat Exchanger





8 Lombard Way, The MXL Centre, Banbury, Oxon, OX16 4TJ
Tel: +44(0) 1295 269 981, Fax: +44(0) 1295 271 640, Email: info@lochinvar.ltd.uk
www.lochinvar.ltd.uk